

## GENERALITA' / FEATURES

Elettropompe centrifughe, monoblocco e monogirante, con corpo pompa, realizzato in accordo alle norme DIN24255-NF E 44-III – UNI7467, collegato al motore mediante supporto, adatte per il pompaggio di acqua pulita e di altri liquidi chimicamente e meccanicamente non aggressivi. La possibilità di installazione in qualunque posizione, fatta eccezione di quella che comporta la bocca aspirante rivolta verso l'alto, unitamente alla forma costruttiva rende agevole e conveniente l'utilizzo per le più svariate esigenze in campo civile, agricolo, industriale o impiantistico in generale.

*Centrifugal, single impeller electric pumps with pump body built according to DIN 24255- NF E 44-III UNI7467 Standards, connected to the motor through a support unit, suitable for pumping clean water and chemically and mechanically non aggressive liquids. It can be installed in any position excluding the one with inlet up-wards and this, along with its special design, makes its use easier and more convenient in most fields: civil, industrial, agricultural.*

## MATERIALI / MATERIALS

- Corpo pompa e supporto motore in ghisa
- Girante in ghisa (su richiesta in bronzo)
- Albero in acciaio inossidabile AISI 303 fino Hp5,5- AISI 304 da Hp7,5
- Tenuta meccanica in ceramica grafite

- *Cast-iron pump body and motor bracket*
- *Cast-iron impeller (bronze impeller upon request)*
- *Stainless steel shaft AISI 303 up to Hp5,5- AISI 304 from Hp7,5*
- *Ceramic graphite mechanical seal*

## MOTORE / MOTOR

- Motore ad induzione del tipo chiuso autoventilato
- Grado di protezione: IP44
- Isolamento classe F
- Forma costruttiva B5 per servizio continuo
- Alimentazione monofase 230V-50Hz
- Alimentazione trifase 230/400V-50Hz fino a 5,5 HP, 400/690V-50Hz per potenze superiori a 7,5 Hp

- *Closed self-ventilated induction motor*
- *Protection: IP44*
- *Isolation class F*
- *B5 construction standards for continuous service*
- *Single-phase feeding 230V-50Hz*
- *Three-phase feeding 230/400V-50Hz up to 5,5 HP, 400/690V-50 Hz for rated output from 7,5 Hp with protection at user's care*

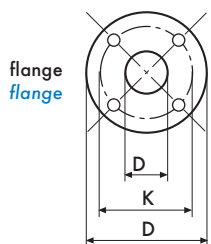
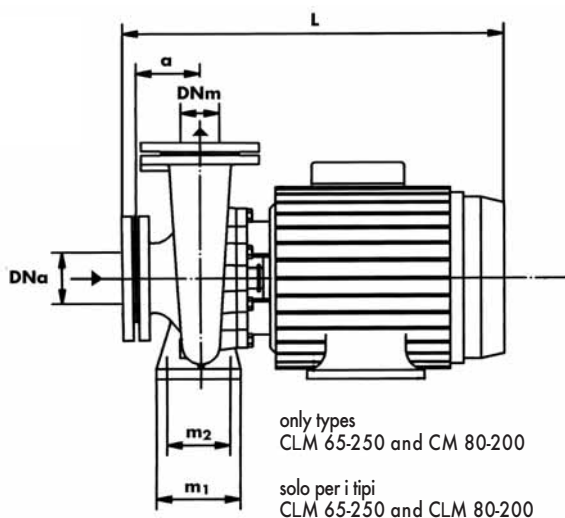
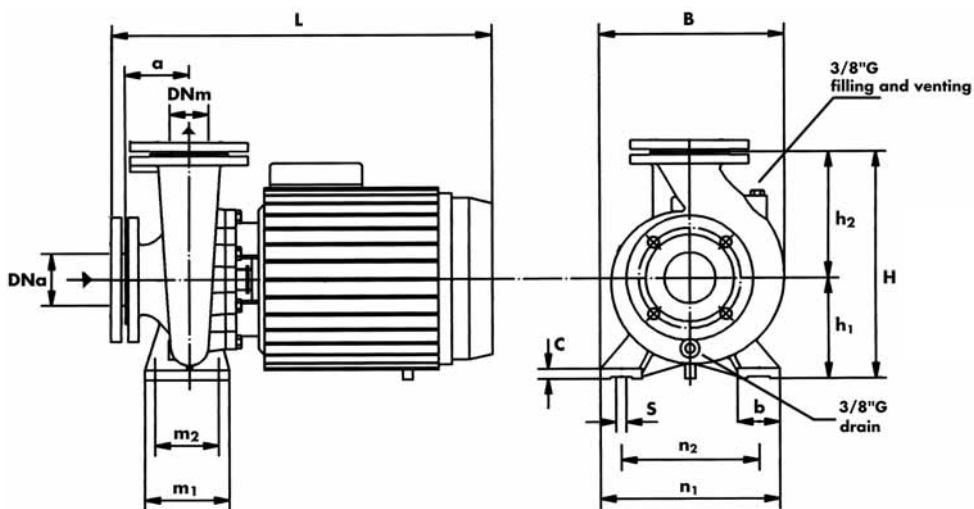
## LIMITI DI IMPIEGO / OPERATING CONDITIONS

- Pressione massima: 10 bar
- Temperatura liquido max: 90° C
- *Max. operating pressure: 10 bar*
- *Max. temperature of liquid: 90° C*

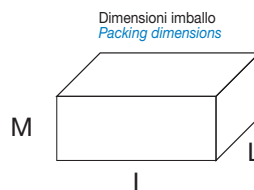
| MODELLO POMPA<br><i>PUMP'S MODEL</i> | P2<br>nom.<br>(HP) | P2<br>nom.<br>(kW) | P1<br>max.<br>(kW) | I<br>3X400V | Q (m <sup>3</sup> /h - l/min) |      |      |      |      |      |      |      |      |      |      |      |      |      |  |  |
|--------------------------------------|--------------------|--------------------|--------------------|-------------|-------------------------------|------|------|------|------|------|------|------|------|------|------|------|------|------|--|--|
|                                      |                    |                    |                    |             | 0                             | 4.5  | 6    | 7.5  | 9    | 12   | 15   | 18   | 21   | 24   | 27   | 30   | 33   | 36   |  |  |
|                                      |                    |                    |                    |             | 0                             | 75   | 100  | 125  | 150  | 200  | 250  | 300  | 350  | 400  | 450  | 500  | 550  | 600  |  |  |
|                                      |                    |                    |                    |             | H (m)                         |      |      |      |      |      |      |      |      |      |      |      |      |      |  |  |
| CLM 32-160 C (*)                     | 2                  | 1.5                | 2.3                | 4           | 24.7                          | 24.4 | 24.1 | 23.6 | 23   | 21.5 | 19.6 | 17.2 | 14.1 |      |      |      |      |      |  |  |
| CLM 32-160 B (*)                     | 3                  | 2.2                | 2.9                | 5.2         | 29                            |      | 28.5 | 28   | 27.3 | 25.7 | 23.8 | 21.4 | 18.5 | 14.8 |      |      |      |      |  |  |
| CLM 32-160 A                         | 4                  | 3                  | 4.1                | 7.1         | 36.8                          |      | 36.4 | 36   | 35.4 | 34.2 | 32.8 | 31.1 | 28.8 | 26   | 22.3 |      |      |      |  |  |
| CLM 32-200 C (*)                     | 5.5                | 4                  | 5.2                | 9.4         | 41.0                          |      | 40.0 | 39.5 | 38.9 | 37.5 | 36.0 | 34.2 | 32.2 | 30.0 | 27.0 |      |      |      |  |  |
| CLM 32-200B1                         | 7.5                | 5.5                | 6.6                | 11.3        | 48.0                          |      | 47.5 | 47.1 | 46.6 | 45.5 | 44.3 | 42.5 | 40.7 | 38.5 | 35.7 | 32.5 | 28.6 |      |  |  |
| CLM 32-200 B                         | 7.5                | 5.5                | 8                  | 13.7        | 52.8                          |      | 52.0 | 51.5 | 51.0 | 50.0 | 48.5 | 46.8 | 45.0 | 42.7 | 40.1 | 37.0 | 33.3 | 28.7 |  |  |
| CLM32 200A1                          | 10                 | 7.5                | 8.5                | 14.6        | 56.5                          |      | 56.0 | 55.6 | 55.2 | 54.0 | 52.8 | 51.0 | 49.2 | 47.0 | 44.2 | 41.0 | 37.1 | 33.0 |  |  |
| CLM 32-200 A                         | 10                 | 7.5                | 9.9                | 16.5        | 61.0                          |      | 60.5 | 60.1 | 59.6 | 58.5 | 57.2 | 55.5 | 53.7 | 51.5 | 49.0 | 46.2 | 42.7 | 38.5 |  |  |
| CLM 32-250 C                         | 12.5               | 9.2                | 11.9               | 20.1        | 70                            |      |      | 68.5 | 68.0 | 67.0 | 65.5 | 63.5 | 61.5 | 58.7 | 55   | 50.5 |      |      |  |  |
| CLM 32-250 B                         | 15                 | 11                 | 14.4               | 24.2        | 82                            |      |      | 81.0 | 80.5 | 79.5 | 78.5 | 77.0 | 75   | 72.6 | 70   | 66.5 |      |      |  |  |
| CLM 32-250 A1                        | 20                 | 15                 | 16                 | 27.4        | 91.0                          |      |      | 90.0 | 89.9 | 89.0 | 88.0 | 86.0 | 84.0 | 81.5 | 79.0 | 75.5 |      |      |  |  |
| CLM 32-250 A                         | 20                 | 15                 | 18.1               | 30.1        | 93.0                          |      |      | 92.5 | 92.0 | 91.5 | 90.5 | 89.5 | 88.0 | 85.7 | 83.5 | 80.0 |      |      |  |  |
| CLM 40-125 C (*)                     | 2                  | 1.5                | 2.3                | 4           | 17.4                          |      |      | 17.6 | 17.5 | 17.3 | 16.9 | 16.4 | 15.8 | 15.1 | 14.2 | 13.3 |      |      |  |  |
| CLM 40-125 B (*)                     | 3                  | 2.2                | 2.9                | 5.2         | 20.7                          |      |      |      | 21.3 | 21.2 | 21.0 | 20.6 | 20.1 | 19.4 | 18.7 | 17.9 | 17.0 |      |  |  |
| CLM 40-125 A                         | 4                  | 3                  | 4.1                | 7.1         | 25.2                          |      |      |      | 25.8 | 25.8 | 25.6 | 25.4 | 24.9 | 24.4 | 23.7 | 22.9 | 22.0 | 21.1 |  |  |
| CLM 40-160 B (*)                     | 4                  | 3                  | 4.4                | 7.4         | 30.0                          |      |      |      | 30.1 | 30.0 | 29.6 | 29.0 | 28.2 | 27.1 | 25.9 | 24.4 | 22.8 | 21.0 |  |  |
| CLM 40-160 A (*)                     | 5.5                | 4                  | 5.7                | 9.9         | 35.4                          |      |      |      | 35.6 | 35.5 | 35.3 | 35.0 | 34.2 | 33.2 | 32.0 | 30.6 | 29.0 | 27.3 |  |  |
| CLM 40-200 B                         | 7.5                | 5.5                | 7.8                | 13.2        | 46.7                          |      |      |      | 47.0 | 46.8 | 46.4 | 45.6 | 44.5 | 43.2 | 41.6 | 39.9 | 37.9 | 35.8 |  |  |
| CLM 40-200 A                         | 10                 | 7.5                | 10.2               | 16.8        | 56.4                          |      |      |      | 57.8 | 58.0 | 57.9 | 57.6 | 56.9 | 56.0 | 54.7 | 53.0 | 51.1 | 48.9 |  |  |
| CLM 40-250 C                         | 12.5               | 9.2                | 12.6               | 21          | 65.0                          |      |      |      | 64.3 | 63.9 | 63.3 | 62.6 | 61.5 | 60.2 | 58.8 | 56.9 | 54.5 | 51.6 |  |  |
| CLM 40-250 B                         | 15                 | 11                 | 14.4               | 24.2        | 75.5                          |      |      |      | 74.6 | 74.2 | 73.5 | 72.7 | 71.7 | 70.4 | 69.0 | 67.2 | 65.0 | 62.5 |  |  |
| CLM 40-250 A1                        | 20                 | 15                 | 17.5               | 29.5        | 85                            |      |      |      | 84.0 | 83.7 | 82.9 | 82.1 | 80.8 | 79.5 | 77.8 | 75.9 | 73.8 | 71.3 |  |  |
| CLM 40-250 A                         | 20                 | 15                 | 19                 | 32          | 91.5                          |      |      |      | 90.4 | 89.9 | 89.3 | 88.5 | 87.5 | 86.6 | 85.5 | 84.0 | 82.5 | 80.5 |  |  |
| CLM 50-125 B (*)                     | 4                  | 3                  | 4.4                | 7.4         | 19.9                          |      |      |      |      | 20.2 | 20.2 | 20.1 | 20.0 | 19.8 | 19.3 | 19.1 | 18.7 | 18.3 |  |  |
| CLM 50-125 A (*)                     | 5.5                | 4                  | 5.7                | 9.9         | 24.5                          |      |      |      |      |      | 25.0 | 24.9 | 24.8 | 24.6 | 24.4 | 24.2 | 23.8 | 23.5 |  |  |
| CLM 50 -160 B1                       | 7.5                | 5.5                | 6.2                | 10.7        | 29.3                          |      |      |      |      |      |      |      | 30.3 | 30.2 | 30.0 | 29.6 | 29.0 | 28.4 |  |  |
| CLM 50-160 B                         | 7.5                | 5.5                | 6.7                | 11.6        | 31.1                          |      |      |      |      |      |      |      | 32.1 | 32.0 | 31.7 | 31.4 | 31.0 | 30.4 |  |  |
| CLM 50-160 A1                        | 10                 | 7.5                | 8.3                | 14.1        | 34.3                          |      |      |      |      |      |      |      | 35.4 | 35.3 | 35.0 | 34.7 | 34.3 | 33.8 |  |  |
| CLM 50-160 A                         | 10                 | 7.5                | 9.4                | 15.8        | 36.7                          |      |      |      |      |      |      |      | 37.9 | 37.8 | 37.7 | 37.4 | 37.1 | 36.6 |  |  |
| CLM 50-200 C                         | 12.5               | 9.2                | 10.8               | 18.5        | 46.0                          |      |      |      |      |      |      |      |      | 45.6 | 45.1 | 44.5 | 43.7 | 42.9 |  |  |
| CLM 50-200 B                         | 15                 | 11                 | 12.4               | 21          | 50.8                          |      |      |      |      |      |      |      |      | 51.0 | 50.5 | 50.0 | 49.3 | 48.5 |  |  |
| CLM 50-200 A1                        | 20                 | 15                 | 14.5               | 25.4        | 57.0                          |      |      |      |      |      |      |      |      | 57.3 | 57.1 | 56.7 | 56.2 | 55.6 |  |  |
| CLM 50-200 A                         | 20                 | 15                 | 15.4               | 27          | 58.0                          |      |      |      |      |      |      |      |      | 58.3 | 58.0 | 57.5 | 57.0 | 56.4 |  |  |
| CLM 50-250 C                         | 20                 | 15                 | 20                 | 32.5        | 71.5                          |      |      |      |      |      |      |      |      |      | 70.8 | 70.3 | 69.7 | 69.0 |  |  |
| CLM 50-250 B                         | 25                 | 18.5               | 23                 | 41.5        | 78.0                          |      |      |      |      |      |      |      |      |      | 78.0 | 77.4 | 76.8 | 76.1 |  |  |
| CLM 50-250 A                         | 30                 | 22                 | 28.5               | 51.5        | 90.0                          |      |      |      |      |      |      |      |      |      | 89.5 | 88.8 | 88.3 | 87.7 |  |  |
| CLM 65-125 B1                        | 7.5                | 5.5                | 6.4                | 11          | 19.4                          |      |      |      |      |      |      |      |      |      |      | 20.4 | 20.4 | 20.3 |  |  |
| CLM 65-125 B                         | 7.5                | 5.5                | 7.2                | 12.6        | 20.9                          |      |      |      |      |      |      |      |      |      |      | 22.0 | 22.0 | 21.9 |  |  |
| CLM 65-125 A1                        | 10                 | 7.5                | 8.1                | 14.0        | 23.0                          |      |      |      |      |      |      |      |      |      |      | 24.1 | 24.1 | 24.0 |  |  |
| CLM 65-125 A                         | 10                 | 7.5                | 9.5                | 16.3        | 25.4                          |      |      |      |      |      |      |      |      |      |      | 26.4 | 26.4 | 26.4 |  |  |
| CLM 65-160 C                         | 12.5               | 9.2                | 11.7               | 19.5        | 29.8                          |      |      |      |      |      |      |      |      |      |      |      |      |      |  |  |
| CLM 65-160 B                         | 15                 | 11                 | 13                 | 22.5        | 33.0                          |      |      |      |      |      |      |      |      |      |      |      |      |      |  |  |
| CLM 65-160 A1                        | 20                 | 15                 | 15.8               | 27.6        | 37.1                          |      |      |      |      |      |      |      |      |      |      |      |      |      |  |  |
| CLM 65-160 A                         | 20                 | 15                 | 18                 | 30          | 39.2                          |      |      |      |      |      |      |      |      |      |      |      |      |      |  |  |
| CLM 65-200 C1                        | 20                 | 15                 | 17.4               | 29.2        | 39.7                          |      |      |      |      |      |      |      |      |      |      |      |      |      |  |  |
| CLM 65-200 C                         | 20                 | 15                 | 20                 | 32.5        | 42.3                          |      |      |      |      |      |      |      |      |      |      |      |      |      |  |  |
| CLM 65-200 B                         | 25                 | 18.5               | 23                 | 41.5        | 46.8                          |      |      |      |      |      |      |      |      |      |      |      |      |      |  |  |
| CLM 65-200 A                         | 30                 | 22                 | 28.5               | 51.5        | 54.0                          |      |      |      |      |      |      |      |      |      |      |      |      |      |  |  |
| CLM 65-250 B                         | 40                 | 30                 | 37.8               | 63.5        | 81.0                          |      |      |      |      |      |      |      |      |      |      |      |      |      |  |  |
| CLM 65-250 A                         | 50                 | 37                 | 45                 | 74.5        | 90.0                          |      |      |      |      |      |      |      |      |      |      |      |      |      |  |  |
| CLM 80-160 E                         | 12.5               | 9.2                | 9.9                | 17.2        | 21.4                          |      |      |      |      |      |      |      |      |      |      |      |      |      |  |  |
| CLM 80-160 D                         | 15                 | 11                 | 12.7               | 22.1        | 25.4                          |      |      |      |      |      |      |      |      |      |      |      |      |      |  |  |
| CLM 80-160 C1                        | 20                 | 15                 | 14.8               | 25.5        | 28.5                          |      |      |      |      |      |      |      |      |      |      |      |      |      |  |  |
| CLM 80-160 C                         | 20                 | 15                 | 15.9               | 27.4        | 29.7                          |      |      |      |      |      |      |      |      |      |      |      |      |      |  |  |
| CLM 80-160 B                         | 25                 | 18.5               | 20.1               | 34.8        | 34                            |      |      |      |      |      |      |      |      |      |      |      |      |      |  |  |
| CLM 80-160 A                         | 30                 | 22.5               | 23.7               | 39.8        | 38.8                          |      |      |      |      |      |      |      |      |      |      |      |      |      |  |  |
| CLM 80-200 B                         | 40                 | 30                 | 37.8               | 63.5        | 49.0                          |      |      |      |      |      |      |      |      |      |      |      |      |      |  |  |
| CLM 80-200 A                         | 50                 | 37                 | 45                 | 74.5        | 58.0                          |      |      |      |      |      |      |      |      |      |      |      |      |      |  |  |

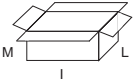
(\*) Disponibile in versione monofase - *Single phase available*





| DIMENSIONI/DIMENSIONS (mm) |     |     |            |    |
|----------------------------|-----|-----|------------|----|
| DN                         | D   | K   | fori/holes |    |
|                            |     |     | n°         | ∅  |
| 32                         | 140 | 100 | 4          | 18 |
| 40                         | 150 | 110 | 4          | 18 |
| 50                         | 165 | 125 | 4          | 18 |
| 65                         | 185 | 145 | 4          | 18 |
| 80                         | 200 | 160 | 4          | 18 |
| 100                        | 220 | 180 | 8          | 18 |



| MODELLO/<br>MODEL | DIMENSIONI (mm)/ DIMENSIONS (mm) |     |     |     |     |     |     |     |     |    |    |    |     |     |     |  |     |     | PESO/<br>WEIGHT<br>kg |
|-------------------|----------------------------------|-----|-----|-----|-----|-----|-----|-----|-----|----|----|----|-----|-----|-----|--|-----|-----|-----------------------|
|                   | DNm                              | DNa | a   | h1  | h2  | m1  | m2  | n1  | n2  | b  | x  | s  | C   | B   | H   | I  | L   | M   |                       |
| CLM 32-160 C      | 32                               | 50  | 80  | 132 | 160 | 100 | 70  | 240 | 190 | 50 | 12 | 14 | 490 | 240 | 292 | 520  | 260 | 355 | 38                    |
| CLM 32-160 B      | 32                               | 50  | 80  | 132 | 160 | 100 | 70  | 240 | 190 | 50 | 12 | 14 | 490 | 240 | 292 | 520  | 260 | 355 | 39                    |
| CLM 32-160 A      | 32                               | 50  | 80  | 132 | 160 | 100 | 70  | 240 | 190 | 50 | 12 | 14 | 490 | 240 | 292 | 520  | 260 | 355 | 42                    |
| CLM 32-200 C      | 32                               | 50  | 80  | 160 | 180 | 100 | 70  | 240 | 190 | 50 | 12 | 14 | 505 | 268 | 340 | 530  | 305 | 400 | 51.5                  |
| CLM 32-200 B1     | 32                               | 50  | 80  | 160 | 180 | 100 | 70  | 240 | 190 | 50 | 12 | 14 | 520 | 268 | 340 | 615  | 310 | 460 | 61                    |
| CLM 32-200 B      | 32                               | 50  | 80  | 160 | 180 | 100 | 70  | 240 | 190 | 50 | 12 | 14 | 565 | 268 | 340 | 615  | 310 | 460 | 63                    |
| CLM 32-200 A1     | 32                               | 50  | 80  | 160 | 180 | 100 | 70  | 240 | 190 | 50 | 12 | 14 | 520 | 268 | 340 | 615  | 310 | 460 | 67                    |
| CLM 32-200 A      | 32                               | 50  | 80  | 160 | 180 | 100 | 70  | 240 | 190 | 50 | 12 | 14 | 565 | 268 | 340 | 615  | 310 | 460 | 69                    |
| CLM 32-250 C      | 32                               | 50  | 100 | 180 | 225 | 125 | 95  | 320 | 250 | 65 | 12 | 14 | 625 | 305 | 405 | 665  | 335 | 535 | 83                    |
| CLM 32-250 B      | 32                               | 50  | 100 | 180 | 225 | 125 | 95  | 320 | 250 | 65 | 14 | 14 | 625 | 305 | 405 | 665  | 335 | 535 | 90                    |
| CLM 32-250 A1     | 32                               | 50  | 100 | 180 | 225 | 125 | 95  | 320 | 250 | 65 | 14 | 14 | 625 | 305 | 405 | 665  | 335 | 535 | 95                    |
| CLM 32-250 A      | 32                               | 50  | 100 | 180 | 225 | 125 | 95  | 320 | 250 | 65 | 14 | 14 | 695 | 305 | 405 | 735  | 335 | 535 | 120                   |
| CLM 40-125 C      | 40                               | 65  | 80  | 112 | 140 | 100 | 70  | 210 | 160 | 50 | 12 | 14 | 495 | 220 | 252 | 520  | 260 | 355 | 36                    |
| CLM 40-125 B      | 40                               | 65  | 80  | 112 | 140 | 100 | 70  | 210 | 160 | 50 | 12 | 14 | 495 | 220 | 252 | 520  | 260 | 355 | 37                    |
| CLM 40-125 A      | 40                               | 65  | 80  | 112 | 140 | 100 | 70  | 210 | 160 | 50 | 12 | 14 | 495 | 220 | 252 | 520  | 260 | 355 | 40                    |
| CLM 40-160 B      | 40                               | 65  | 80  | 132 | 160 | 100 | 70  | 240 | 190 | 50 | 12 | 14 | 500 | 245 | 292 | 520  | 260 | 355 | 47                    |
| CLM 40-160 A      | 40                               | 65  | 80  | 132 | 160 | 100 | 70  | 240 | 190 | 50 | 15 | 14 | 500 | 245 | 292 | 520  | 260 | 355 | 50                    |
| CLM 40-200 B      | 40                               | 65  | 100 | 160 | 180 | 100 | 70  | 265 | 212 | 50 | 15 | 14 | 590 | 273 | 340 | 615  | 310 | 460 | 65                    |
| CLM 40-200 A      | 40                               | 65  | 100 | 160 | 180 | 100 | 70  | 265 | 212 | 50 | 15 | 14 | 590 | 273 | 340 | 615  | 310 | 460 | 71                    |
| CLM 40-250 C      | 40                               | 65  | 100 | 180 | 225 | 125 | 95  | 320 | 250 | 65 | 15 | 14 | 630 | 322 | 405 | 665  | 335 | 535 | 84                    |
| CLM 40-250 B      | 40                               | 65  | 100 | 180 | 225 | 125 | 95  | 320 | 250 | 65 | 15 | 14 | 630 | 322 | 405 | 665  | 335 | 535 | 91                    |
| CLM 40-250 A1     | 40                               | 65  | 100 | 180 | 225 | 125 | 95  | 320 | 250 | 65 | 15 | 14 | 630 | 322 | 405 | 665  | 335 | 535 | 96                    |
| CLM 40-250 A      | 40                               | 65  | 100 | 180 | 225 | 125 | 95  | 320 | 250 | 65 | 15 | 14 | 700 | 322 | 405 | 735  | 335 | 535 | 121                   |
| CLM 50-125 B      | 50                               | 65  | 100 | 132 | 160 | 100 | 70  | 240 | 190 | 50 | 12 | 14 | 525 | 250 | 292 | 520  | 260 | 355 | 47                    |
| CLM 50-125 A      | 50                               | 65  | 100 | 132 | 160 | 100 | 70  | 240 | 190 | 50 | 12 | 14 | 525 | 250 | 292 | 520  | 260 | 355 | 50                    |
| CLM 50-160 B1     | 50                               | 65  | 100 | 150 | 180 | 100 | 70  | 265 | 212 | 50 | 12 | 14 | 545 | 270 | 340 | 615  | 310 | 460 | 63                    |
| CLM 50-160 B      | 50                               | 65  | 100 | 150 | 180 | 100 | 70  | 265 | 212 | 50 | 12 | 14 | 590 | 270 | 340 | 615  | 310 | 460 | 65                    |
| CLM 50-160 A1     | 50                               | 65  | 100 | 150 | 180 | 100 | 70  | 265 | 212 | 50 | 12 | 14 | 545 | 270 | 340 | 615  | 310 | 460 | 69                    |
| CLM 50-160 A      | 50                               | 65  | 100 | 150 | 180 | 100 | 70  | 265 | 212 | 50 | 12 | 14 | 590 | 270 | 340 | 615  | 310 | 460 | 71                    |
| CLM 50-200 C      | 50                               | 65  | 100 | 160 | 200 | 100 | 70  | 265 | 212 | 50 | 12 | 14 | 635 | 290 | 360 | 665  | 335 | 535 | 82                    |
| CLM 50-200 B      | 50                               | 65  | 100 | 160 | 200 | 100 | 70  | 265 | 212 | 50 | 12 | 14 | 635 | 290 | 360 | 665  | 335 | 535 | 89                    |
| CLM 50-200 A1     | 50                               | 65  | 100 | 160 | 200 | 100 | 70  | 265 | 212 | 50 | 12 | 14 | 635 | 290 | 360 | 665  | 335 | 535 | 94                    |
| CLM 50-200 A      | 50                               | 65  | 100 | 160 | 200 | 100 | 70  | 265 | 212 | 50 | 12 | 14 | 705 | 290 | 360 | 735  | 335 | 535 | 122                   |
| CLM 50-250 C      | 50                               | 65  | 100 | 180 | 225 | 125 | 95  | 320 | 250 | 65 | 14 | 14 | 705 | 332 | 405 | 735  | 355 | 535 | 125                   |
| CLM 50-250 B      | 50                               | 65  | 100 | 180 | 225 | 125 | 95  | 320 | 250 | 65 | 14 | 14 | 750 | 332 | 405 | 815  | 355 | 535 | 140                   |
| CLM 50-250 A      | 50                               | 65  | 100 | 180 | 225 | 125 | 95  | 320 | 250 | 65 | 14 | 14 | 750 | 332 | 405 | 815  | 355 | 535 | 149                   |
| CLM 65-125 B1     | 65                               | 80  | 100 | 160 | 180 | 125 | 95  | 280 | 212 | 65 | 14 | 14 | 560 | 280 | 340 | 615  | 310 | 460 | 62                    |
| CLM 65-125 B      | 65                               | 80  | 100 | 160 | 180 | 125 | 95  | 280 | 212 | 65 | 14 | 14 | 605 | 280 | 340 | 615  | 310 | 460 | 64                    |
| CLM 65-125 A1     | 65                               | 80  | 100 | 160 | 180 | 125 | 95  | 280 | 212 | 65 | 14 | 14 | 560 | 280 | 340 | 615  | 310 | 460 | 68                    |
| CLM 65-125 A      | 65                               | 80  | 100 | 160 | 180 | 125 | 95  | 280 | 212 | 65 | 14 | 14 | 605 | 280 | 340 | 615  | 310 | 460 | 70                    |
| CLM 65-160 C      | 65                               | 80  | 100 | 160 | 200 | 125 | 95  | 280 | 212 | 65 | 14 | 14 | 635 | 290 | 360 | 665  | 335 | 535 | 84                    |
| CLM 65-160 B      | 65                               | 80  | 100 | 160 | 200 | 125 | 95  | 280 | 212 | 65 | 14 | 14 | 635 | 290 | 360 | 665  | 335 | 535 | 90                    |
| CLM 65-160 A1     | 65                               | 80  | 100 | 160 | 200 | 125 | 95  | 280 | 212 | 65 | 14 | 14 | 635 | 290 | 360 | 665  | 355 | 535 | 95                    |
| CLM 65-160 A      | 65                               | 80  | 100 | 160 | 200 | 125 | 95  | 280 | 212 | 65 | 14 | 14 | 705 | 290 | 360 | 735  | 355 | 535 | 120                   |
| CLM 65-200 C1     | 65                               | 80  | 100 | 180 | 225 | 125 | 95  | 320 | 250 | 65 | 14 | 14 | 675 | 330 | 405 | 735  | 355 | 535 | 92                    |
| CLM 65-200 C      | 65                               | 80  | 100 | 180 | 225 | 125 | 95  | 320 | 250 | 65 | 14 | 14 | 705 | 330 | 405 | 735  | 355 | 535 | 122                   |
| CLM 65-200 B      | 65                               | 80  | 100 | 180 | 225 | 125 | 95  | 320 | 250 | 65 | 14 | 14 | 750 | 330 | 405 | 815  | 355 | 535 | 138                   |
| CLM 65-200 A      | 65                               | 80  | 100 | 180 | 225 | 125 | 95  | 320 | 250 | 65 | 14 | 14 | 750 | 330 | 405 | 815  | 355 | 535 | 148                   |
| CLM 65-250 B      | 65                               | 80  | 100 | 200 | 250 | 160 | 120 | 360 | 280 | 80 | 16 | 19 | 850 | 370 | 450 | 850  | 380 | 490 | 239                   |
| CLM 65-250 A      | 65                               | 80  | 100 | 200 | 250 | 160 | 120 | 360 | 280 | 80 | 16 | 19 | 850 | 370 | 450 | 850  | 380 | 490 | 253                   |
| CLM 80-160 E      | 80                               | 100 | 125 | 180 | 225 | 125 | 95  | 320 | 250 | 65 | 14 | 14 | 665 | 330 | 405 | 665  | 335 | 535 | 92                    |
| CLM 80-160 D      | 80                               | 100 | 125 | 180 | 225 | 125 | 95  | 320 | 250 | 65 | 14 | 14 | 665 | 330 | 405 | 665  | 335 | 535 | 98.5                  |
| CLM 80-160 C1     | 80                               | 100 | 125 | 180 | 225 | 125 | 95  | 320 | 250 | 65 | 14 | 14 | 665 | 330 | 405 | 665  | 335 | 535 | 104                   |
| CLM 80-160 C      | 80                               | 100 | 125 | 180 | 225 | 125 | 95  | 320 | 250 | 65 | 14 | 14 | 735 | 330 | 405 | 735  | 335 | 535 | 1299                  |
| CLM 80-160 B      | 80                               | 100 | 125 | 180 | 225 | 125 | 95  | 320 | 250 | 65 | 14 | 14 | 780 | 330 | 405 | 815  | 335 | 535 | 143                   |
| CLM 80-160 A      | 80                               | 100 | 125 | 180 | 225 | 125 | 95  | 320 | 250 | 65 | 14 | 14 | 780 | 330 | 405 | 815  | 335 | 535 | 152                   |
| CLM 80-200 B      | 80                               | 100 | 125 | 180 | 225 | 125 | 95  | 345 | 280 | 65 | 16 | 14 | 870 | 355 | 405 | 850  | 380 | 490 | 233                   |
| CLM 80-200 A      | 80                               | 100 | 125 | 180 | 225 | 125 | 95  | 345 | 280 | 65 | 16 | 14 | 870 | 355 | 405 | 850  | 380 | 490 | 247                   |